

Thanks for Downloading This Printable!

This printable is for personal or classroom use. By using it, you agree to not copy, reproduce, or change any content from the download, except for your own personal, non-commercial use.

You may not redistribute the contents of my downloads in whole or in part, for any reason.

If you found this pdf on a site other than teachingmama.org, it is being used in violation of my copyright. Please email me at angela@teachingmama.org if you see this.

Please do NOT link directly to the pdf file online (people must be able to visit my website to get the pdf).

Do NOT upload this file to a shared website (dropbox, mediafire, 4shared.com, forums, or your own blog).

I hope you can use this printable in your own home or classroom setting. If you liked this printable, I would love it if you shared the link to my blog to others who may be interested.

Thank you for agreeing to my Terms and Conditions and Happy Learning!

-Angela @ Teaching Mama

TRAIN DEPARTURE TIME

Black Train

8am

Red Train

11am

Green Train

1pm

Blue Train

3pm

Black Train

5pm

Red Train

6pm

Green Train

8pm

Blue Train

10pm

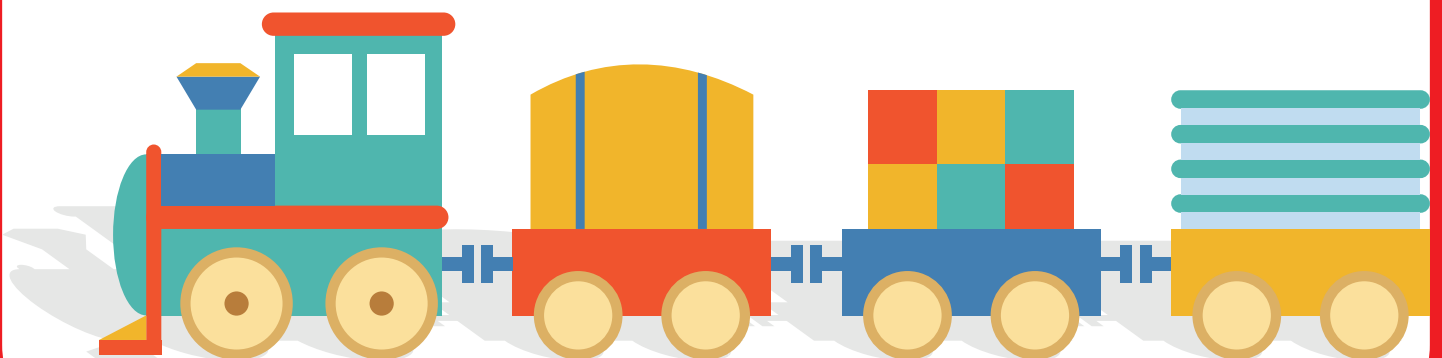
TICKET PRICES

One Way Ticket:

\$5

Roundn Trip Ticket:

\$12



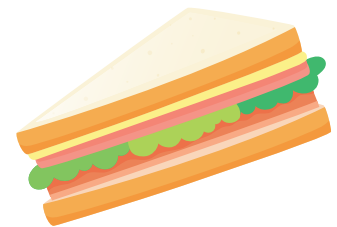
CONCESSION PRICES

Coffee: \$5

Water: \$1

Cookie: \$2

Sandwich: \$4



TICKET

Name: _____

Destination: _____



8AM

TICKET

Name: _____

Destination: _____



8AM

TICKET

Name: _____

Destination: _____



8AM

TICKET

Name: _____

Destination: _____



8AM

TICKET

Name: _____

Destination: _____



8AM

TICKET

Name: _____

Destination: _____



8AM

TICKET

Name: _____

Destination: _____



8AM

TICKET

Name: _____

Destination: _____



8AM

TICKET

Name: _____

Destination: _____



8AM

TICKET

Name: _____

Destination: _____



8AM

TICKET

Name: _____

Destination: _____

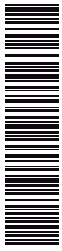


8AM

TICKET

Name: _____

Destination: _____



8AM

TICKET

Name: _____

Destination: _____



8AM

TICKET

Name: _____

Destination: _____



8AM

TICKET

Name: _____

Destination: _____



8AM

TICKET

Name: _____

Destination: _____



8AM

TICKET

Name: _____

Destination: _____



8AM

TICKET

Name: _____

Destination: _____



8AM

TICKET

Name: _____

Destination: _____

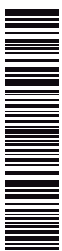


8AM

TICKET

Name: _____

Destination: _____



8AM

TRAIN STATION

Next train arrives in....

--	--

minutes

0

1

2

3

4

5

6

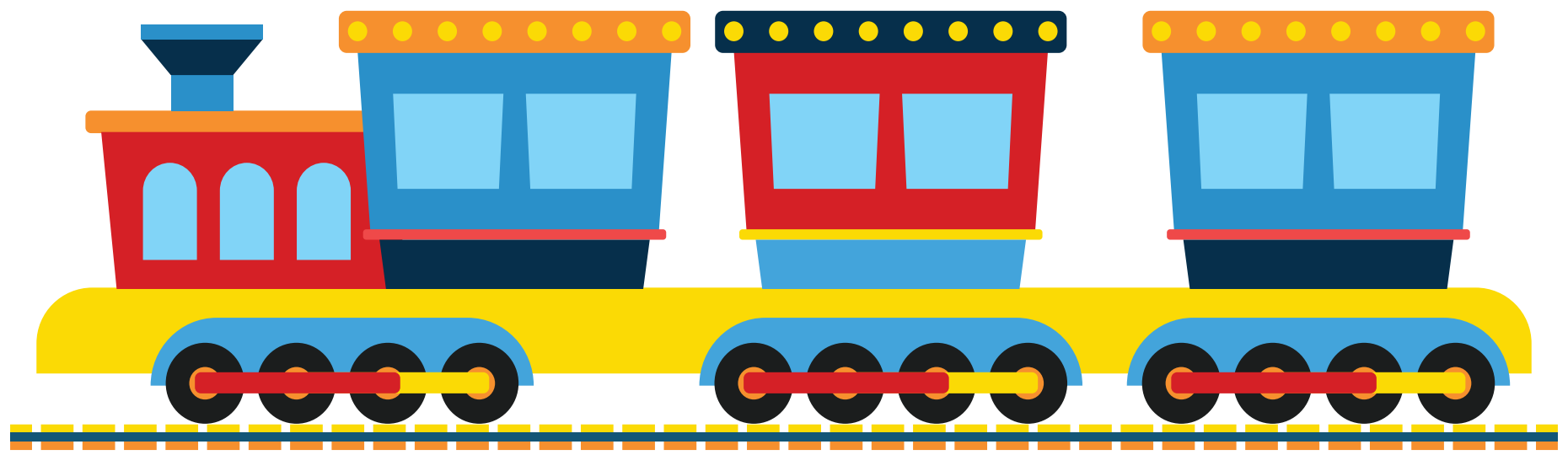
7

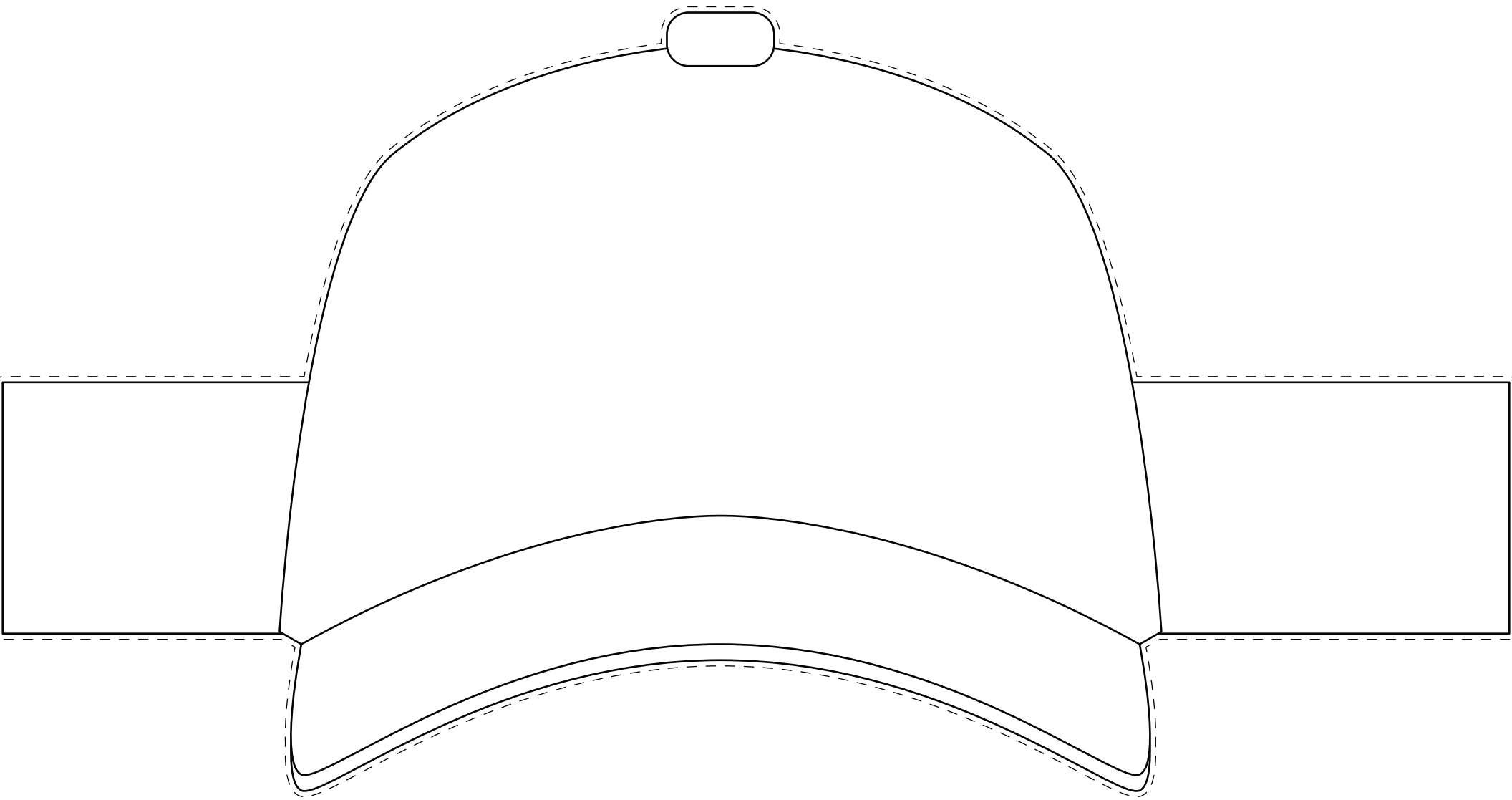
8

9

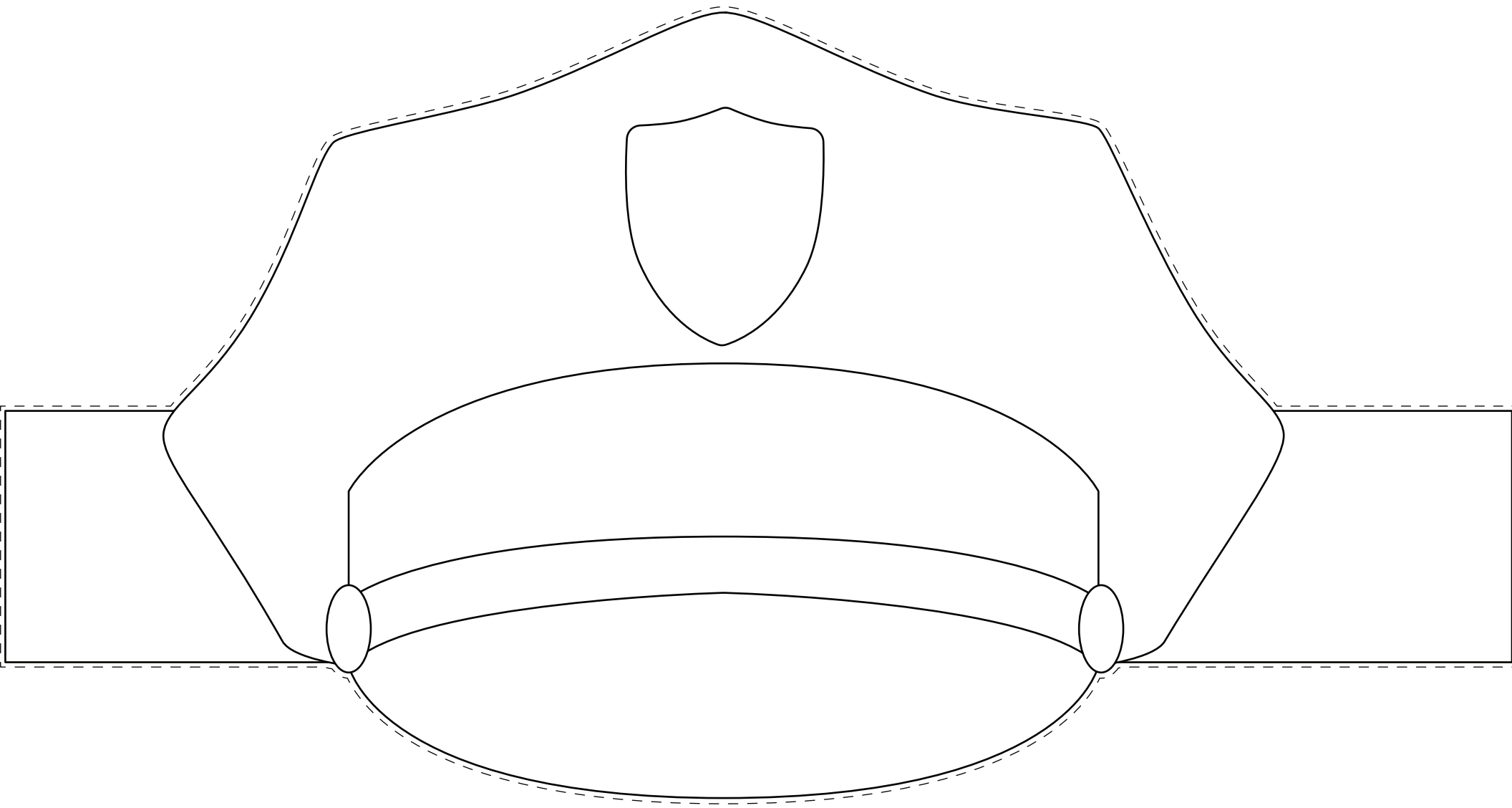


TRAIN STATION

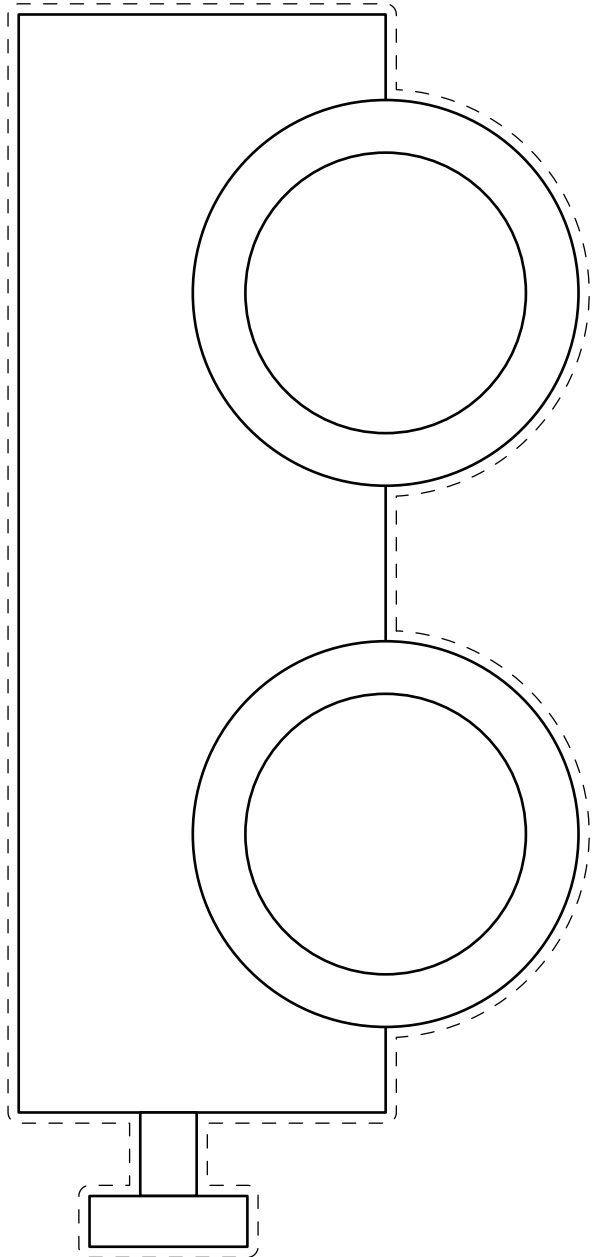
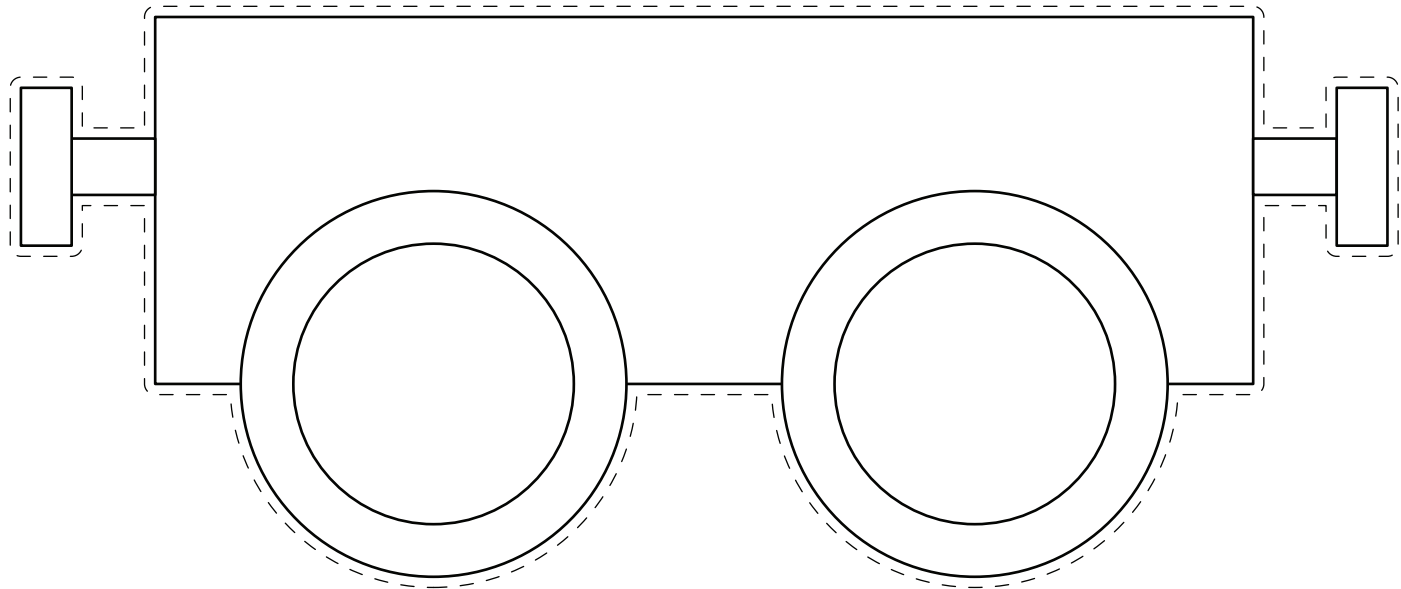
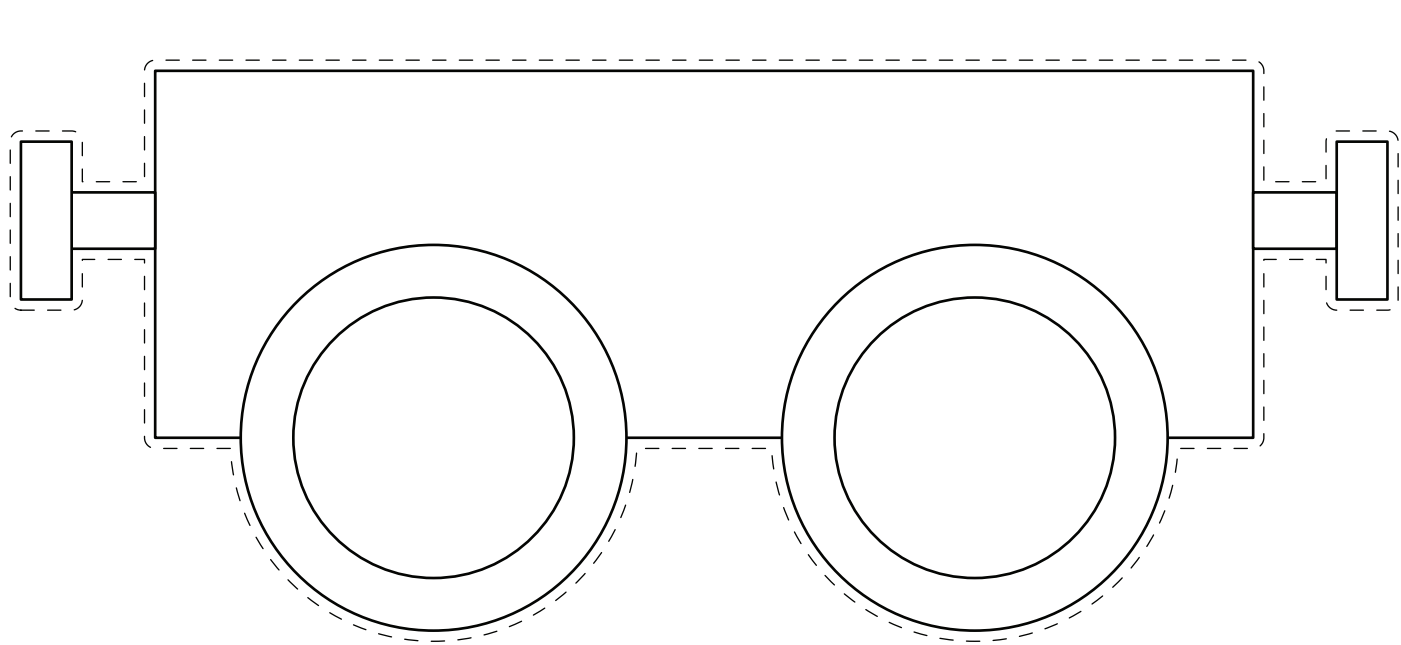


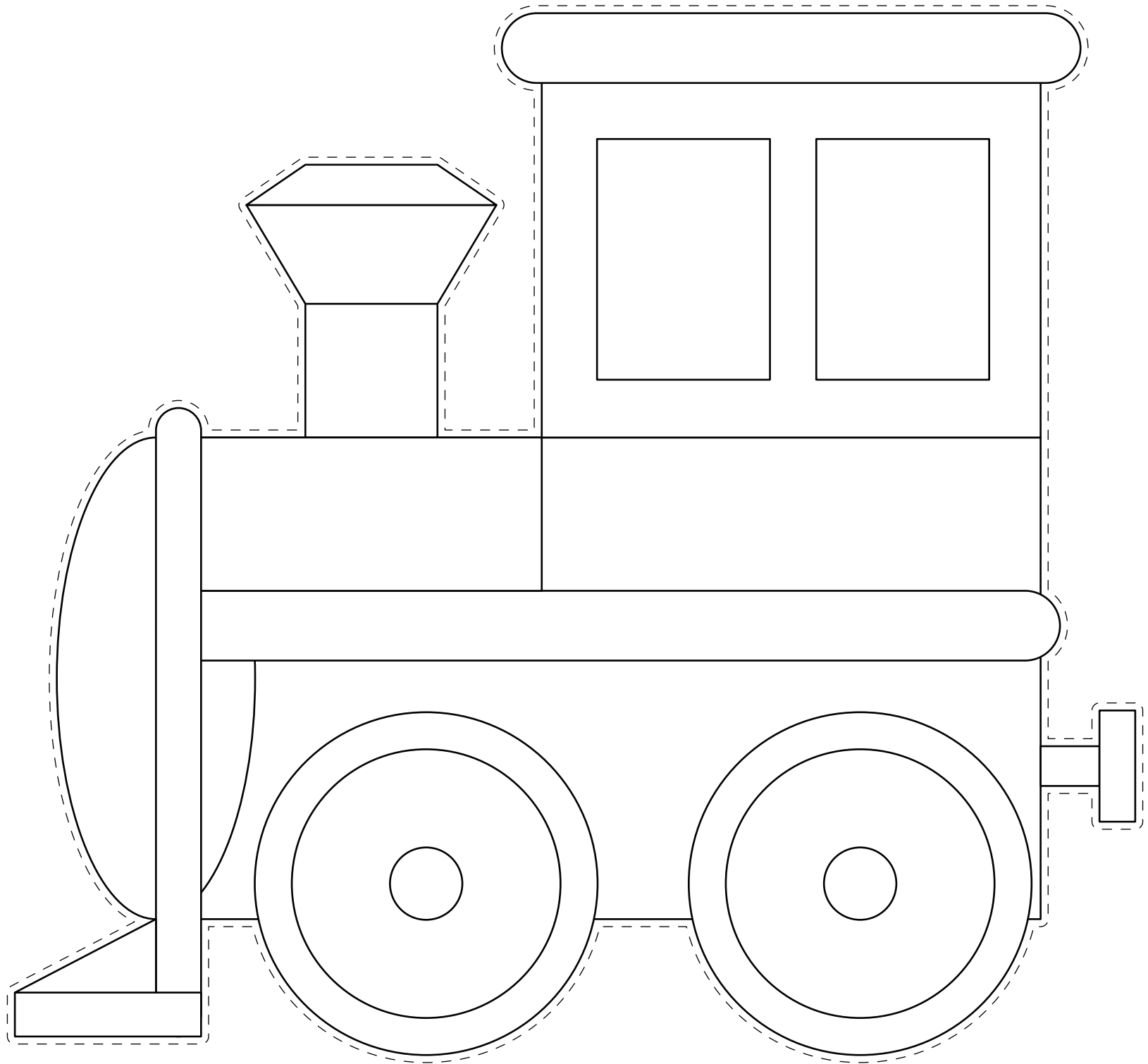


CONDUCTOR



TRAIN DRIVER







TICKET



KET